

C707-1 SIMLOCK SIM/SAM Card Reader

Designed for SIM/SAM card applications with reliable locking mechanism. Suitable for automatic assembly.

Electrical

Contact resistance	- < 30 mΩ
Switch contacts	- < 60 mΩ
Insulation	- > 10 ⁹ Ω
High Voltage resistance	- 500VAC 1 min

Environmental

Temperature	- -25°C thru 85°C
Vibration	- IEC 60512-4, Test 6d
Shock	- IEC 60512-4, Test 6c

Switch

Closed when lid locked	
Chatter time	- < 5 ms

Durability

5000 Cycles

Features

- Same footprint as SIM card
- Polarized

Related Information

Infrared reflow soldering - 245°C 10s max

Part Number:

Description

C707 10M006 000 2	4 Pin w/switch 140pcs/tray	707-1-1a
C707 10M006 026 2	4 Pin w/switch w/o lid 600pcs/tape&reel	
C707 10M006 001 2	4 Pin w/o switch 140pcs/tray	707-1-1a
C707 10M006 505 2	4 Pin w/o switch 600pcs/tape&reel	707-1-1a
C707 10M006 007 2	2 Pin w/switch 140pcs/tray	707-1-2a
C707 10M006 503 2	2 Pin w/switch w/o lid 600pcs/tape&reel	
C707 10M006 021 2	2 Pin w/o switch 600pcs/tape&reel	707-1-2a
C707 10M006 031 2	2 Pin w/o switch 140pcs/tray	707-1-2a
C707 10M006 049 2*	3+3 Cont. w/o switch 800pcs/tape&reel	707-1-3a
C707 10M006 500 2**	3+3 Cont. w/o switch 800pcs/tape&reel	
C707 10M006 027 2***	Lids for tape&reel SIMLOCK w/switch	

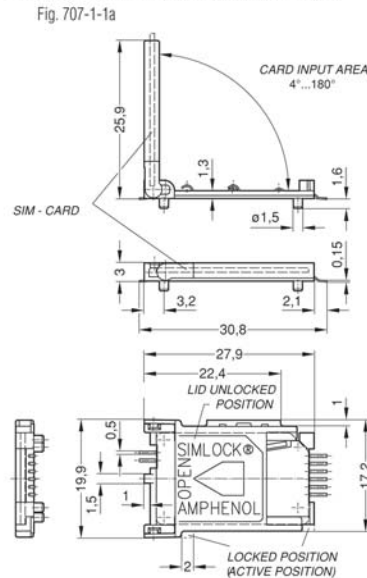
* 2 Different diameter alignment pins

** Without alignment pins

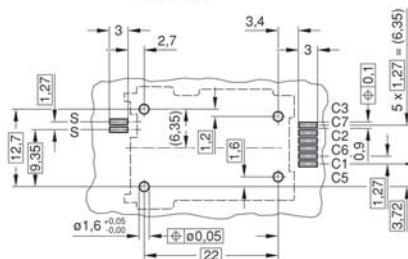
*** 600 per bag

All SIMLOCKS have a black finish

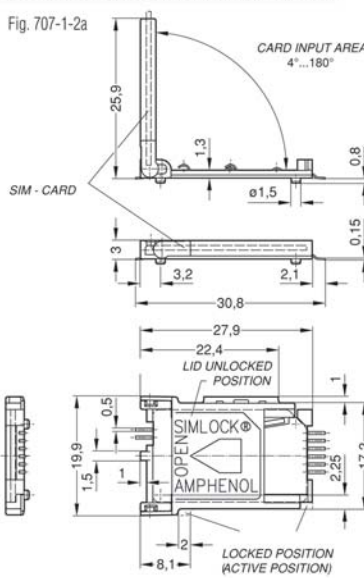
With or without security switch, 4 positioning pins



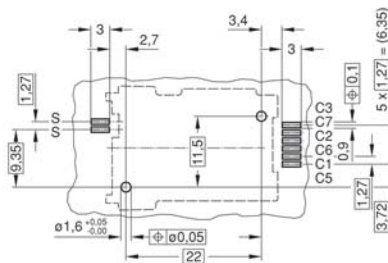
PCB - LAYOUT



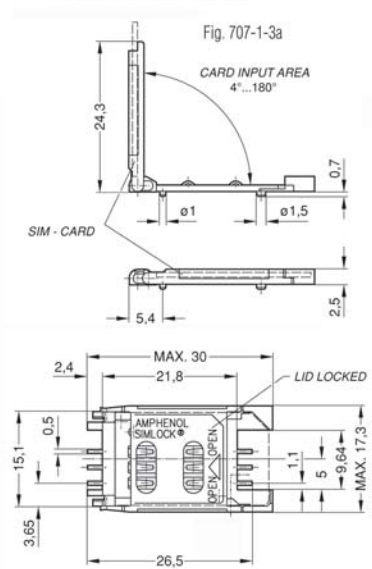
With or without security switch, 2 positioning pins



PCB - LAYOUT



6 contacts (3 + 3), low profile



For further variations and information, consult representative