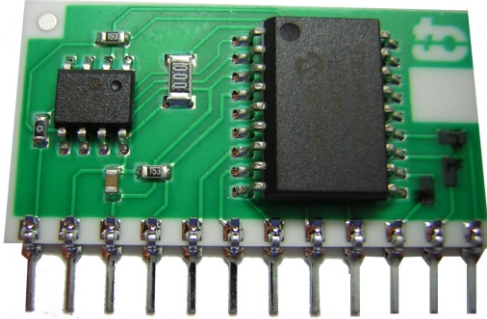


DC-4CH

Keeloq decoder 4 channels

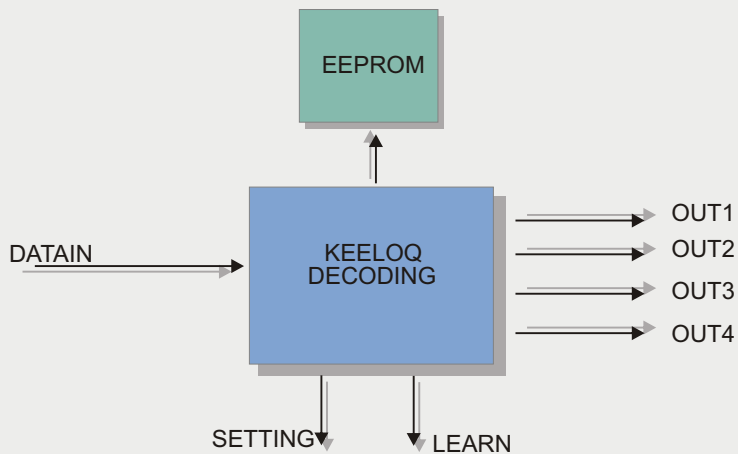


General description

The DC-4CH hybrid module is a 4 channels Keeloq decoder unit which match with HCS Keeloq encoder (programmed with Telecontrolli manufacturer code). Can be used with any ASK or FSK receiver (Telecontrolli family) to make a complete 4-channel receiver unit.

This device has the capability to learn up to 60 encoder transmitters. The 4 outputs can operate in two modes : monostable and bistable. This module facilitate the OEM designers to realize their remote control application in the quickest way.

BLOCK DIAGRAM



Features

- Highly Secure Keeloq protocol
- 4 channels
- Monostable and bistable
- Capability up to 60 transmitters

Applications

- Burglar alarm system
- Car door controllers
- Car alarm system
- Home/Office security system

Electrical Characteristics

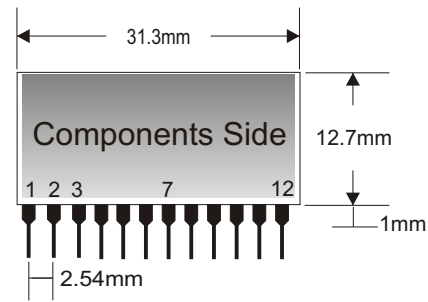
Ta = 25°C unless otherwise specified

CHARACTERISTICS	MIN	TYP	MAX	UNIT
V _c Supply Voltage	3.0		5.5	VDC
I _s Supply Current	1.0	1.2	1.5	MA
V _{oL} Data Output Voltage Logic Low			0.6	VDC
V _{oH} Data Output Voltage Logic High			VCC -0.7	VDC
I _o Output source current			10	MA
I _o Output sink current			25	MA
T _{op} Operating Temperature Range	-25		+80	°C

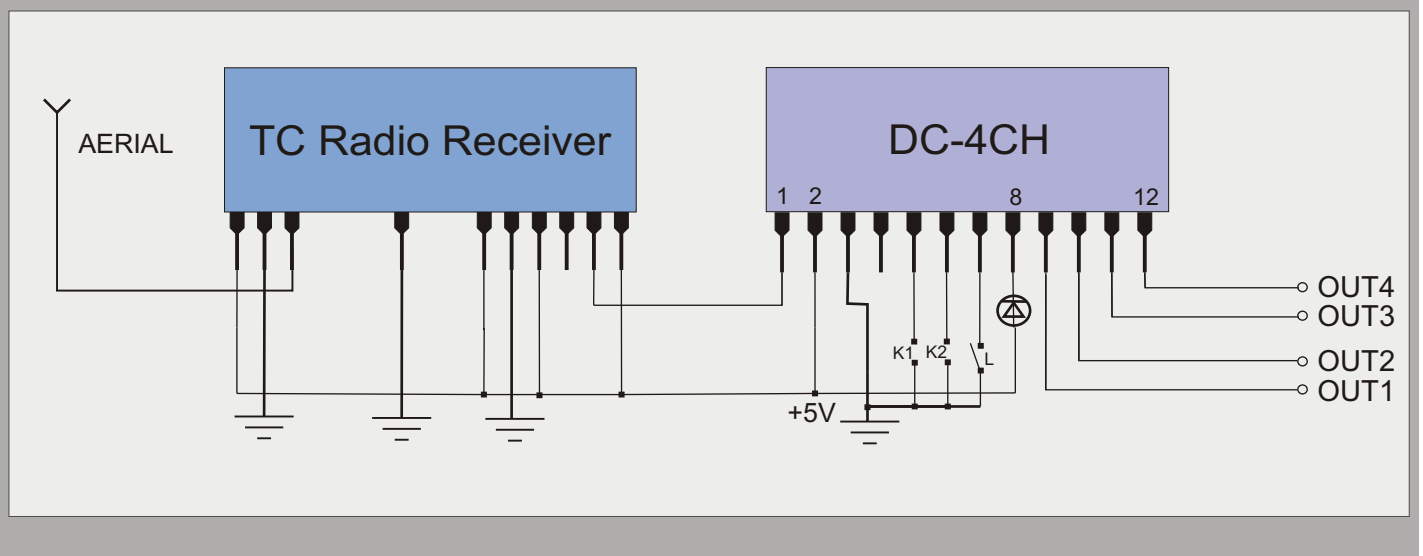
Pin Description

1 DATA IN	7 LEARN
2 VCC	8 LED
3 GND	9 OUT1
4 MCLR	10 OUT2
5 SWITCH1	11 OUT3
6 SWITCH2	12 OUT4

Mechanical Dimensions



TYPICAL APPLICATION



Learn Operation

- 1) Press and release the learn switch (L).
- 2) LED lights when the switch is pressed and stay on when released (for 10 second).
- 3) In this time send the transmitter code, the status led of the decoder will be blinking.
- 4) When the status LED has stopped blinking the transmitter has been successfully taught to the decoder.

Monostable and bistable operation (refer to typical application)

K1	K2	OUT1	OUT2	OUT3	OUT4
CLOSE	CLOSE	Monostable	Monostable	Monostable	Monostable
OPEN	OPEN	Bistable	Bistable	Bistable	Bistable
CLOSE	OPEN	Monostable	Monostable	Bistable	Bistable
OPEN	CLOSE	Bistable	Bistable	Monostable	Monostable

Erase memory

Push and then hold the learn switch (L) on the decoder for 10 seconds the status LED blinking continuously for several seconds until the erase function is complete.

Telecontrolli Srl has an on going policy to improve the performance and reliability of their products; we therefore reserve the right to make changes without notice. The information contained in our data sheets is believed to be accurate, however we do not assume any liability arising from the application or use of any product or circuit.



HEAD OFFICE & PLANT

Via Nazionale delle Puglie, 177
80026 CASORIA (NA), Italy
Tel: +39 081 7599033
Fax: +39 081 7596494

SALES OFFICE

sales @ telecontrolli.com

Web Site: www.telecontrolli.com