

# BACKUP POWER SUPPLY

(12V<sub>DC</sub> / 12V<sub>DC</sub>)

## 1. Introduction

This device is NiMH battery based 12 V<sub>DC</sub> / 12 V<sub>DC</sub> backup power supply suitable for GSM modems (e.g. for MC75i GSM modem) which enables to overcome short power supply interruptions. It's designed for DIN rail mounting into a box.



## 2. Package

- 1pc Backup power supply (12 V<sub>DC</sub> / 12 V<sub>DC</sub>)
- 1pc connection cable between power supply and connected device (RJ12 – RJ12)

### Recommended accessories

- Power supply adaptor 230 V<sub>AC</sub> / 12 V<sub>DC</sub>; order code GSM-35-PPOWR
- Connection cable; order code GSM-35-PKAB1
- DIN rail holder; order code GSM-75-DIN

## 3. Technical specifications

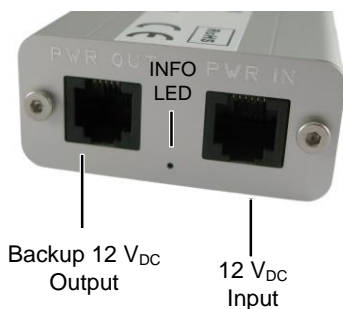
Parameter	Symbol	MIN.	TYP.	MAX.	Unit
Dimensions	Width	W	54		mm
	Height	H	24		mm
	Depth	D	85		mm
Input	Voltage	V <sub>cc</sub>	11,5	13	V <sub>DC</sub>
	Current	I <sub>cc</sub> at V <sub>cc</sub> =12V <sub>DC</sub>		0.4	A
Output	Voltage	V <sub>out</sub>	12		V <sub>DC</sub>
	Current	I <sub>out</sub>		0.4	A
Battery capacity	Backup time (modem in standby mode)	t	60 (20°C)		min
Battery storage	Without charging	t		3	months
Temperature	Operational	t <sub>A</sub>	0	+45	°C

**Use this device inside building only!**

Note:

If the backup power supply was not used for more than 3 months, it **must be charged at least 24 hours** before it can be used to backup connected device! Accumulator available capacity depends on outer temperature and on power consumption of connected device.

## 4. Hardware



Backup 12 V<sub>DC</sub> Output

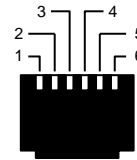
12 V<sub>DC</sub> Input

### 4.1 Connectors

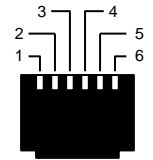
Connect external power supply into the "PWR IN" (RJ12) connector. Connect your device (e.g. modem) which you want to protect against power supply interruptions into the "PWR OUT" (RJ12) connector. The backup power supply is protected against overvoltage and reversing of polarity.

Connector description:

- 1 – +V<sub>cc</sub> (supply)
- 2 – NC
- 3 – NC
- 4 – IGT\_IN (ignition)
- 5 – NC
- 6 – GND (ground)

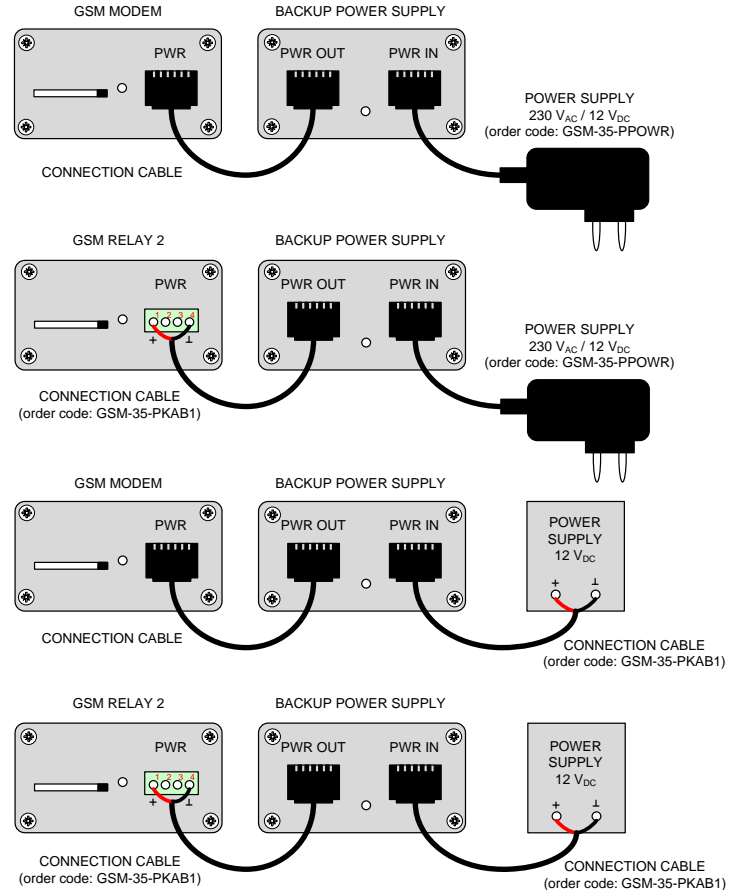


PWR OUT



PWR IN

Typical usage examples:



Note: Pin 4 (IGT\_IN) is internally connected with pin 1 (+V<sub>cc</sub>) inside of the "PWR OUT" connector.

### 4.2 LED diode

Indication LED diode is located on the front panel.

LED	COLOR	MEANING
INFO	green	Device state indication. Dim ... external 12V <sub>DC</sub> power supply not connected Light ... external 12V <sub>DC</sub> power supply is connected

### 4.3 DIN rail mounting

Use plastic holder for DIN rail mounting. (Order code: GSM-75-DIN)



## 5. Warranty

General warranty period is 12 months after purchase, when eventual malfunction device will be repaired free of charge in SEA spol. s r.o. company while shipping to SEA is paid by customer and SEA pays for shipping back to customer.