

## RRQ5-XXX

### ASK Superhet Receiver with Front End SAW Filter - Optional Metal Shield



#### General description

The RRQ5-XXX is an ASK superhet data receiver with PLL synthesizer, crystal oscillator and Front End SAW Filter.

A squelch function is implemented to reduce output "noise" when no transmitter is active.

EMI immunity improved by a metal shield (**RRQ5-XXX-S** model)

Typical sensitivity: -110 dBm

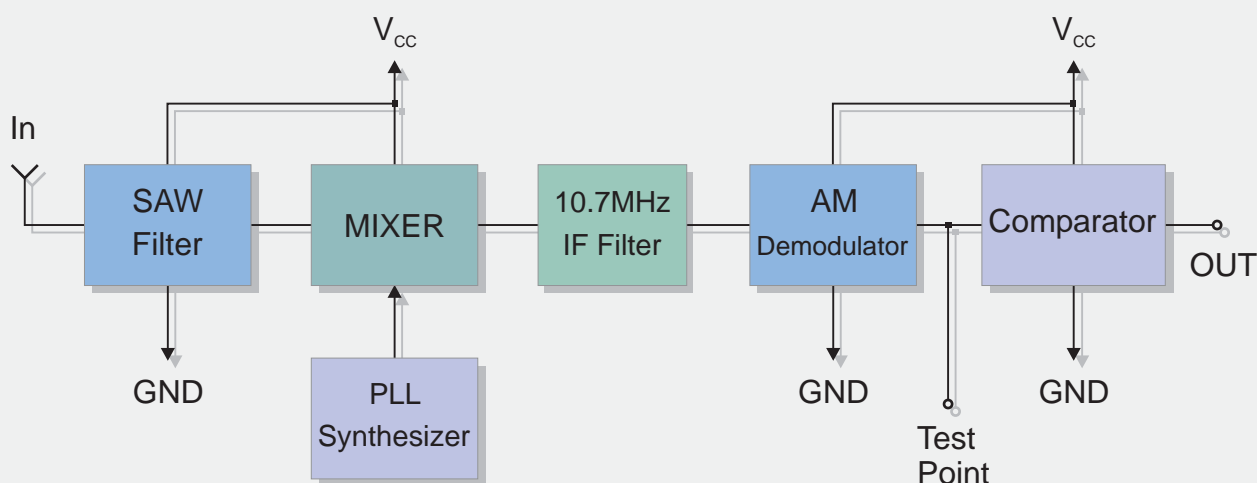
Supply current: 6 mA (typ)

#### Applications

- Wireless security systems
- Car Alarm systems
- Remote gate controls
- Sensor reporting

**XXX:** custom-specified working frequency (433.92 MHz)

#### BLOCK DIAGRAM



## Electrical Characteristics

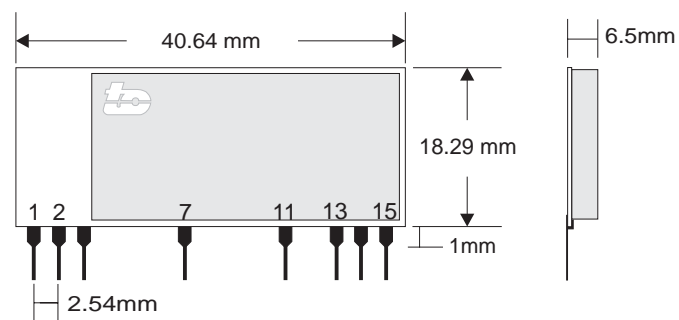
Ta = 25°C unless otherwise specified

CHARACTERISTICS		MIN	TYP	MAX	UNIT
V <sub>CC</sub>	Supply Voltage	4.5	5	5.5	VDC
I <sub>S</sub>	Supply Current		6	7	mA
F <sub>R</sub>	Receiver Frequency		433.92		MHz
	RF Sensitivity (100% AM)	-108	-110		dBm
B <sub>w</sub>	-3dB Bandwidth		±150		KHz
	Max Data Rate			4.8	Kbit/s
	Level of Emitted Spectrum			-70	dBm
V <sub>ol</sub>	Low-Level Output Voltage (I=10uA)			0.8	V
V <sub>oh</sub>	High-Level Output Voltage (I=-200uA)	V <sub>CC</sub> - 1			V
T <sub>OP</sub>	Operating Temperature Range	-25		+80	°C

## Pin Description

1	V <sub>CC</sub>
2	GND
3	IN
7	GND
11	GND
13	Test Point
14	OUT
15	V <sub>CC</sub>

## Mechanical Dimensions



## TYPICAL APPLICATION

