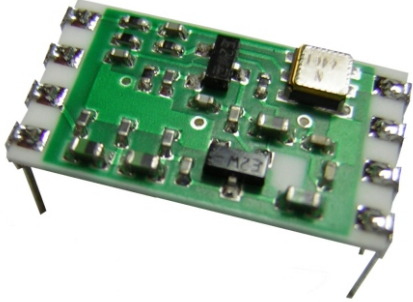


RT14-434-HCS

Radio Transmitter Module with SAW Resonator and HCS Keeloq Encoder



General description

The RT14-434-HCS is a two-stages radio transmitter (SAW oscillator + power amplifier) with Keeloq encoder (Microchip HCS301).

This module facilitate the OEM designers to realize their remote control applications in the quickest way.

The circuit is designed with smd components and the module size is small enough to be able to be fitted in various types of boxes.

It shows stable electric characteristics thanks to the "Thick film hybrid" technology.

working frequency 433.92 Mhz

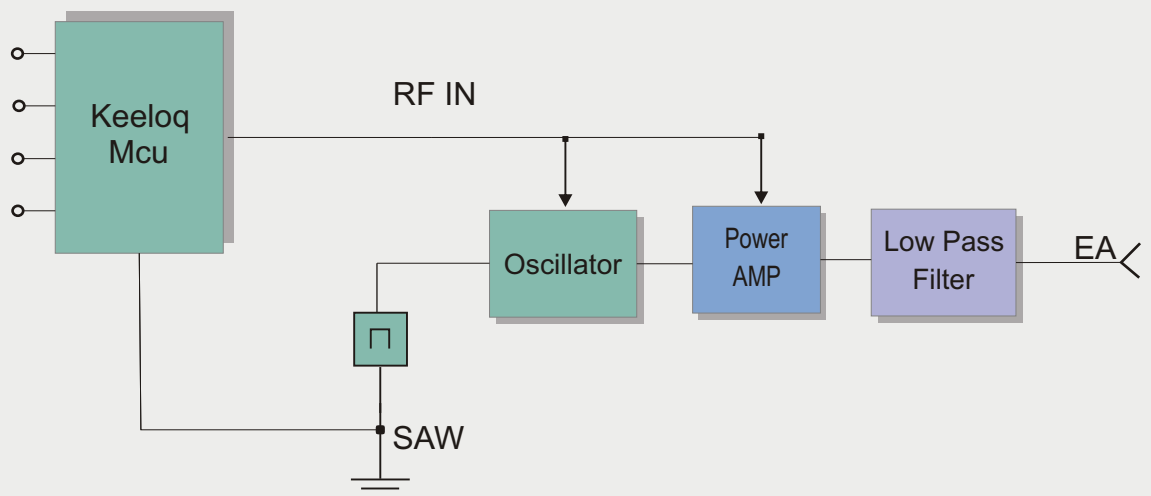
Features

- Highly Secure Keeloq Protocol
- 4 Channels (Key1,Key2,Key3,Key4)
- Indication of transmission (LED)
- Power Saving Auto Shut Off Feature
- Compatible with Keeloq decoder
- High Reliability
- DIL Package

Applications

- Remote control systems
- Car alarm systems
- Remote gate controls

CIRCUIT SCHEMATIC



Electrical Characteristics

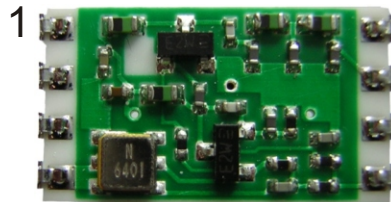
Ta = 25°C unless otherwise specified

CHARACTERISTICS		MIN	TYP	MAX	UNIT
V _{CC}	Supply Voltage	3.5		12	VDC
I _S	Supply Current		10		mA
F _W	Working Frequency		433.92		MHz
P _O	RF Output Power into 50Ω (Vi = Vcc = 3.3V)	10	12		dBm
	Harmonic Spurious Emission		-55		dBc
V _{IH}	Input High Voltage	3.5		V _{CC}	V
	Max Data Rate			9.6	Kbit/s
T _{OP}	Operating Temperature Range	-25		+80	°C

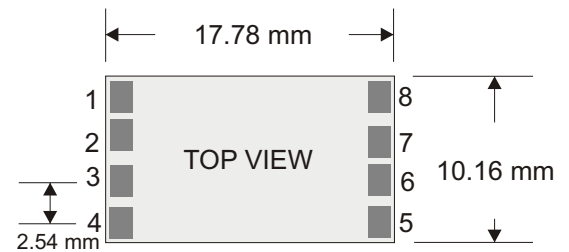
Typically, equipment utilizing this device requires emissions testing and government approval, which is the responsibility of the equipment manufacturer.

Pin Description

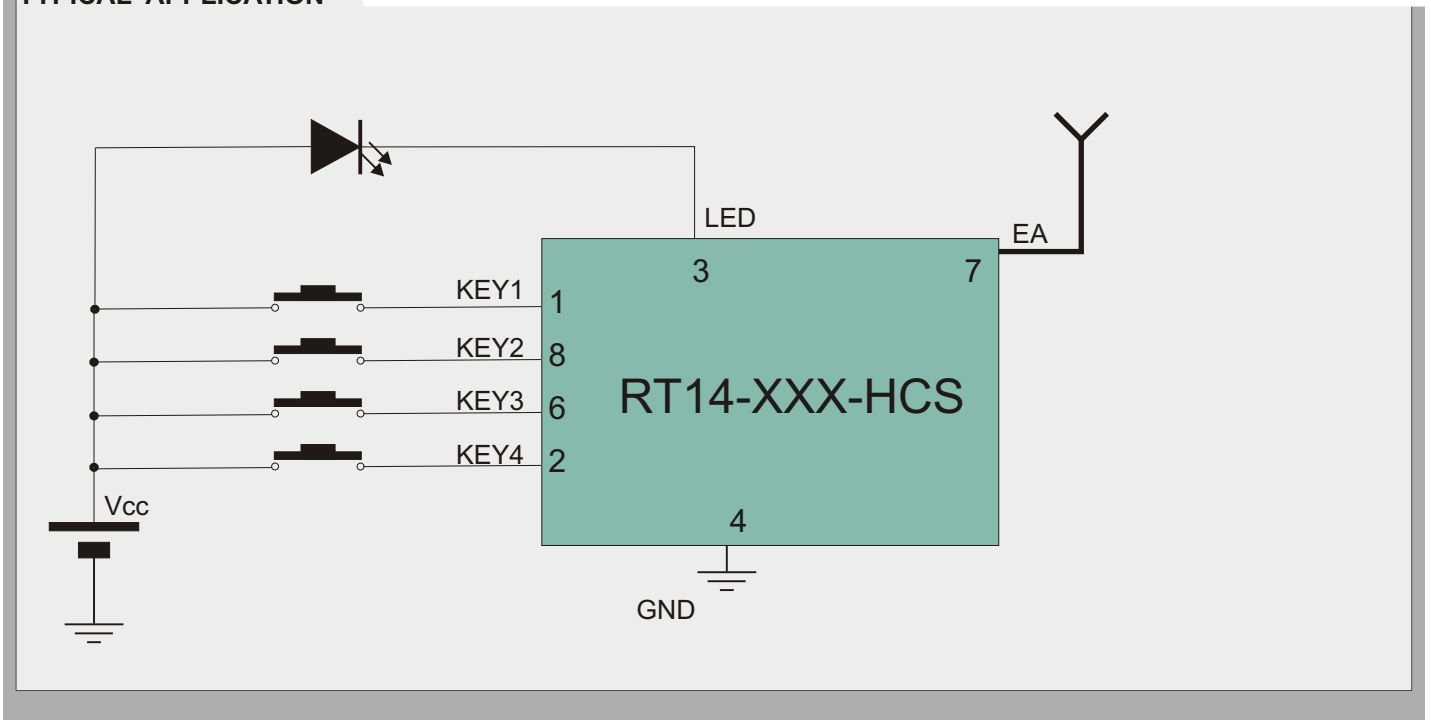
1 KEY1	5 PROG
2 KEY4	6 KEY3
3 LED	7 EA
4 GND	8 KEY2



Mechanical Dimensions



TYPICAL APPLICATION



Telecontrolli Srl has an on going policy to improve the performance and reliability of their products; we therefore reserve the right to make changes without notice. The information contained in our data sheets is believed to be accurate, however we do not assume any liability arising from the application or use of any product or circuit.



Web Site: www.telecontrolli.com

HEAD OFFICE & PLANT

Via Nazionale delle Puglie, 177
80026 CASORIA (NA), Italy
Tel: +39 081 7599033
Fax: +39 081 7596494

SALES OFFICE

sales @ telecontrolli.com