

RTFQ11-XXX

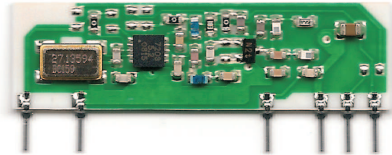
15mW FSK Radio Transmitter Module with
Crystal Oscillator and External Antenna

General description

The RTFQ11-XXX is an hybrid circuit that allows to realize a complete FSK radio transmitter adding a coding circuit.

Output Power: 10mW @ 3.3V

High Data rate: up to 40Kbps



It shows stable electric characteristics thanks to the "Thick film hybrid" technology.

XXX : working frequency (868.35 Mhz)

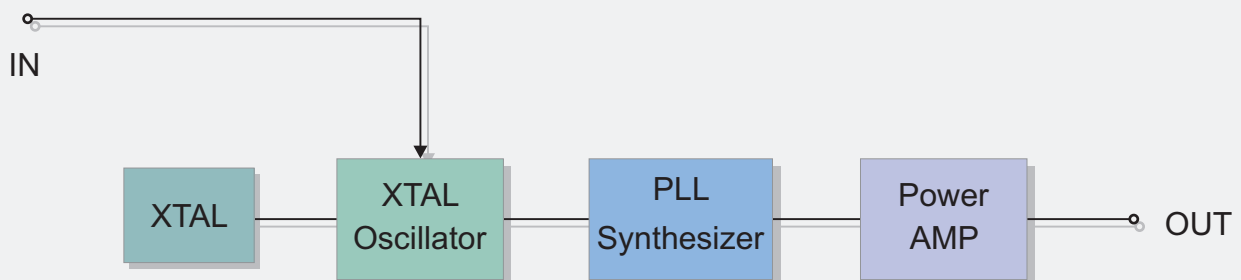
Features

- High Reliability
- DIL Package

Applications

- Wireless security systems
- Car Alarm systems
- Remote gate controls
- Sensor reporting

BLOCK DIAGRAM



Electrical Characteristics

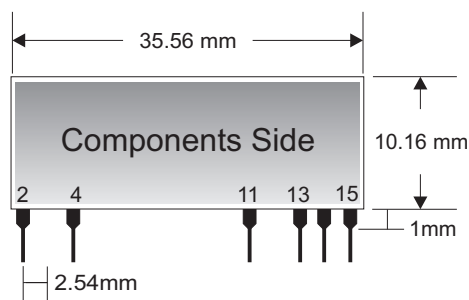
Ta = 25°C unless otherwise specified

CHARACTERISTICS	MIN	TYP	MAX	UNIT
V _{CC} Supply Voltage	2.2	3.3	5.5	VDC
I _S Operating Supply Current (V _{CC} = 3.3V)		26		mA
P _O RF Output Power into 50Ω (V _{CC} = 3.3V)	+10	+12		dBm
P _O RF Output Power into 50Ω (V _{CC} = 5V)	+12	+14		dBm
F _W Working Frequency		868.35		MHz
Initial Frequency Accuracy		+/- 35		KHz
FM Deviation		+/-30		KHz
Harmonic Spurious Emission		-50		dBc
V _{IH} Input High Voltage	0.7*V _{CC}			V
Max Data Rate			40	Kbit/s
Power-Up Time			1.5	msec
T _{OP} Operating Temperature Range	-25		+80	°C

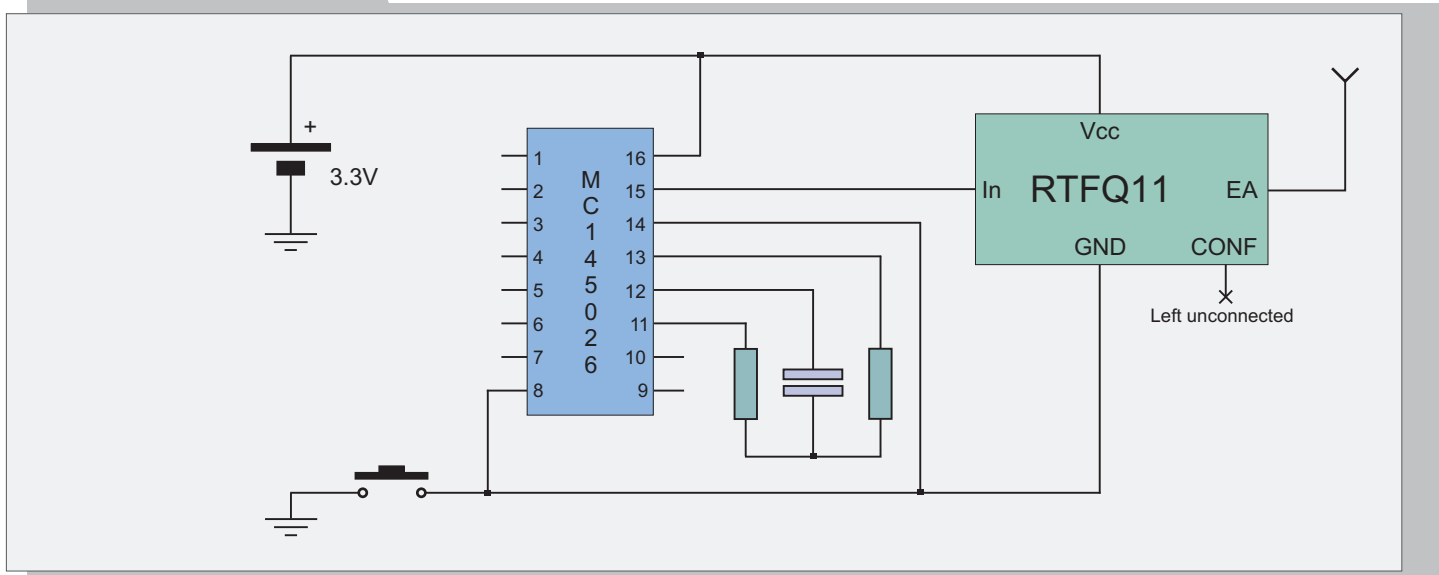
Pin Description

2	IN	Data IN
4	GND	Ground
11	EA	External Antenna
13	GND	Ground
14	CONF	Left unconnected
15	Vcc	Supply Voltage

Mechanical Dimensions



TYPICAL APPLICATION



Telecontrolli Srl has an on going policy to improve the performance and reliability of their products; we therefore reserve the right to make changes without notice. The information contained in our data sheets is believed to be accurate, however we do not assume any liability arising from the application or use of any product or circuit.



HEAD OFFICE & PLANT

Via Nazionale delle Puglie, 177
80026 CASORIA (NA), Italy
Tel: +39 081 7599033
Fax: +39 081 7596494

SALES OFFICE

sales @ telecontrolli.com

Web Site: www.telecontrolli.com