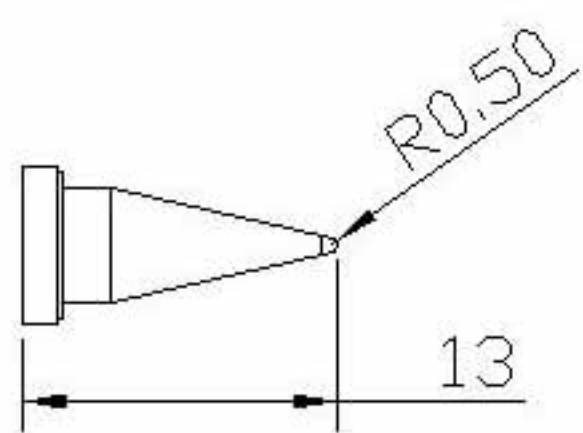
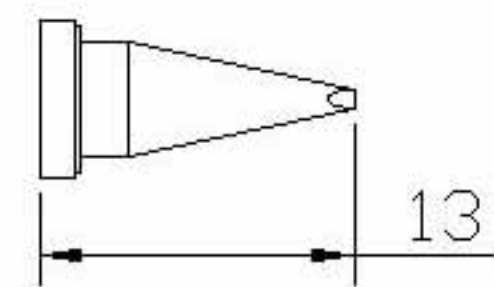


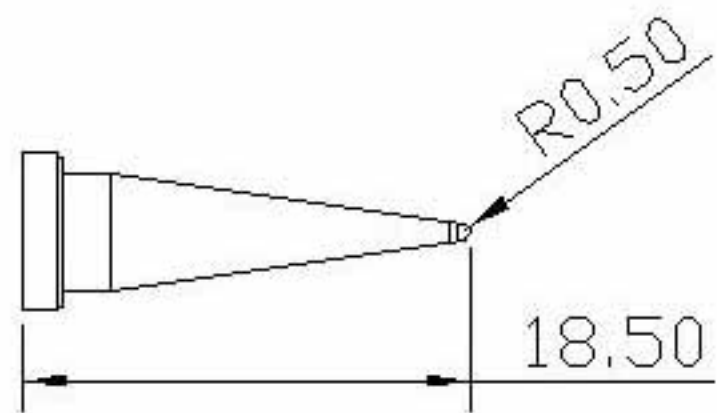
B
44-710652



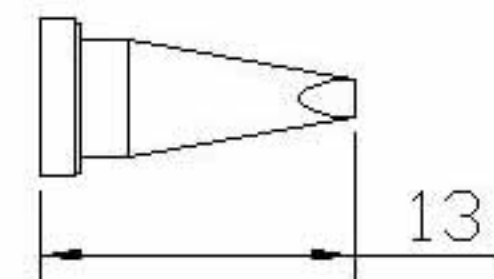
0.8D
44-710660



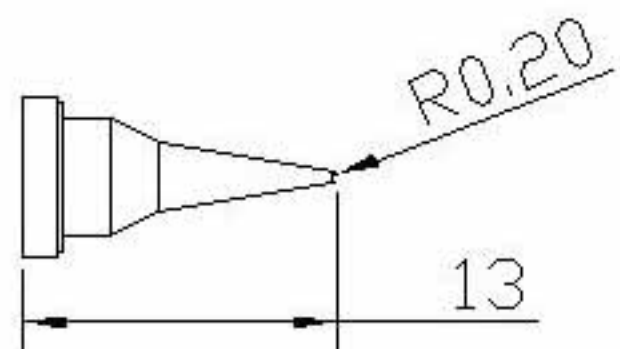
LB
44-710653



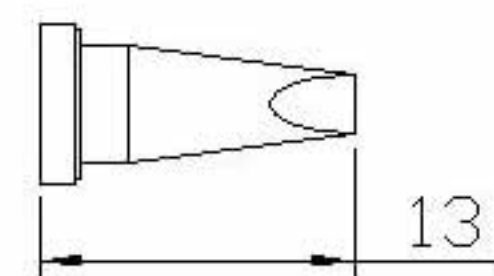
1.6D
44-710661



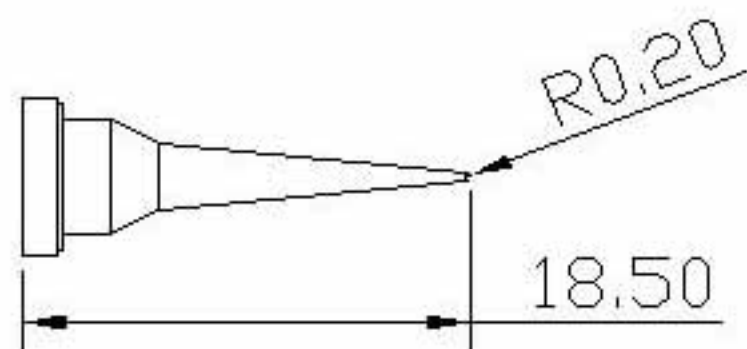
I
44-710654



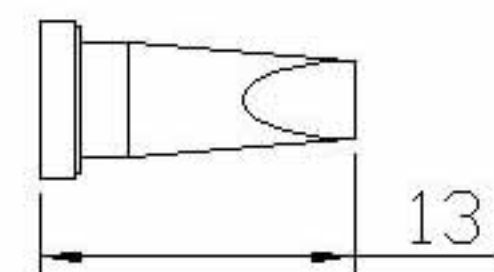
2.4D
44-710662



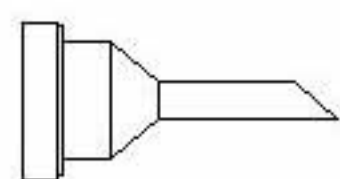
LI
44-710655



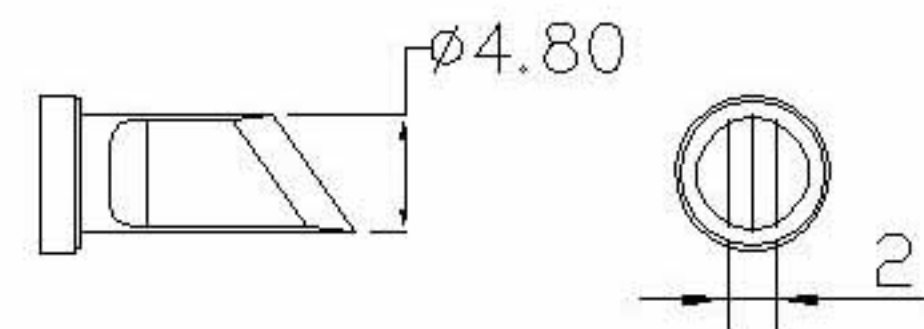
3.2D
44-710663



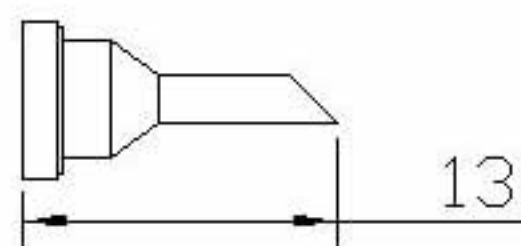
1C
44-710656



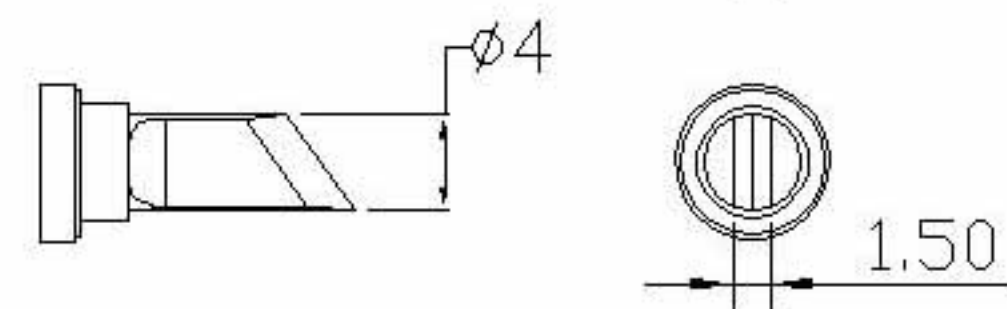
5K
44-710664



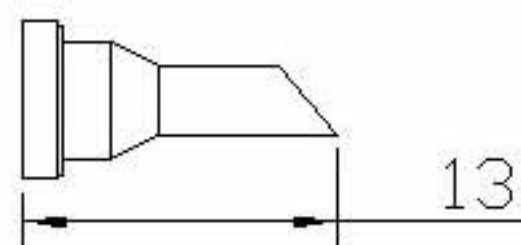
2C
44-710657



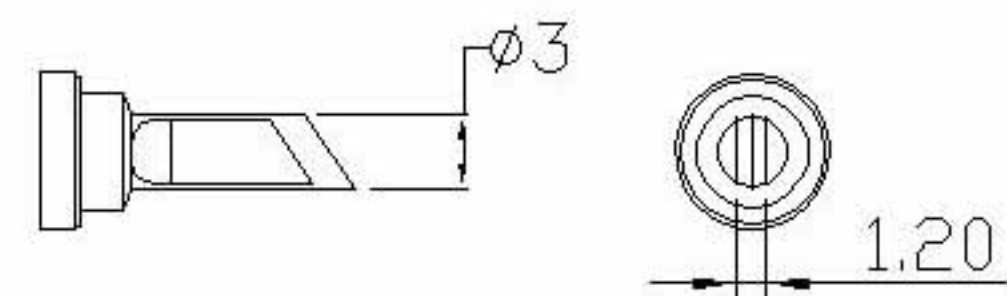
4K
44-710665



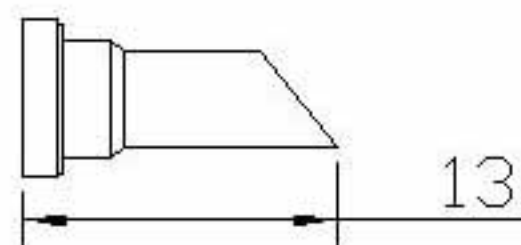
3C
44-710658



3K
44-710666



4C
44-710659



0.8C
44-710667

