

FX fanless series

FX5403



AMD Geode LX-800 Embedded System With 2 LAN, Audio, 4COM and 4 USB

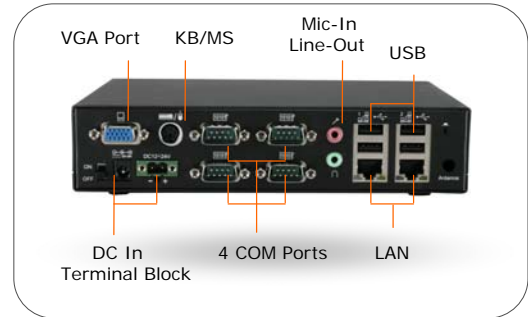


Features

- Fanless and low power consumption design
- AMD Geode LX-800 Low-power CPU
- 256MB DDR SDRAM inside system
- One PS/2 KB/MS
- One VGA
- 2 LAN
- 4 COM Ports
- 4USB(V2.0)
- One CompactFlash Slot
- Space for one 2.5" HDD
- 1 Mini PCI Slot
- 4 LED Indicators

Specifications

- CPU Board:** AMD Geode LX-800 Low-power CPU board with 256MB DDR SDRAM
- I/O Outlets:**
- 1 PS/2 Keyboard/Mouse connector
 - 1 VGA connector
 - 2 RJ45 10/100/1000M Base-T Ethernet ports
 - 4 USB ports (V2.0)
 - 3 RS-232 and 2 1 RS232/RS422/RS485 ports
 - 1 DC-In connector
 - 2 LAN (10/100/1000 Base TX)
 - 1 Mini PCI slot
 - 1 push bottom reset
- Storage Bay:**
- 1 2.5" HDD space
 - 1 CompactFlash slot
- LED Indicators:**
- 1 power LED (Green) and 1 HDD LED (Red)
 - 2 LAN Led (Green)
- Power Req.:** DC 12V – 24V, 16VA maximum With 2.5" HDD and 19V DC Input.
- Operating Temperature:** 0~50 degree C. (32~122 degree F.)
- Dimensions:** 200.0mm (D) x 130.0mm (W) x 44.0 mm (H)
- Accessory:**
- 1 utility Disc
 - 1 AC-DC adapter with AC power cable
 - 1 CBL-KB+MS-Y type keyboard and mouse adapter cable
 - 2 L-type universal fixers and 4 screws.
 - 1 2-pin apartable terminal block.
 - 1 44-pin flat cable and 4 screws for fixing and connecting a 2.5" hard disk drive.



Optional Item

- FX5403K1 – Rack Mount
- FB4710 - PATA to SATA Adapter

Ordering Information

Model	Description	Driver
FX5403A	AMD Geode LX-800 Embedded System with 2 LANs, 4 COM ports, 4 USB and 512MB DDR RAM.	* VGA/Audio: WinXP/2K, Linux * LAN Novell 3.X / 4.X Win95/98/NT, OS2, Linux NDIS, MSLAN



FabiaTech Corp.

TEL:886-2-22789586 FAX:886-2-22789575
 4F-3, No.18, Lane 609, Chung-Hsin Rd., Sec.5, San-Chung City, Taipei Hsien, Taiwan, R.O.C.

www.fabiatech.com