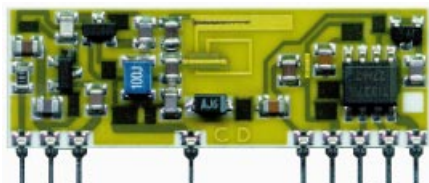


RR8-XXX

3V Supply Voltage - Very Low Consumption
Super Regenerative Radio Receiver



General description

The RR8-XXX is a super regenerative data receiver.

Sensitivity typically exceeds -90dBm when matched to $50\ \Omega$.

Typical current consumption is $0.5\ \text{mA}$.

Low Turn-on Time ($150\ \text{msec}$).

It shows high frequency stability also in presence of mechanical vibrations, manual handling and in a wide range of temperature.

The frequency accuracy is very high thanks to laser trimming process. PATENTED.

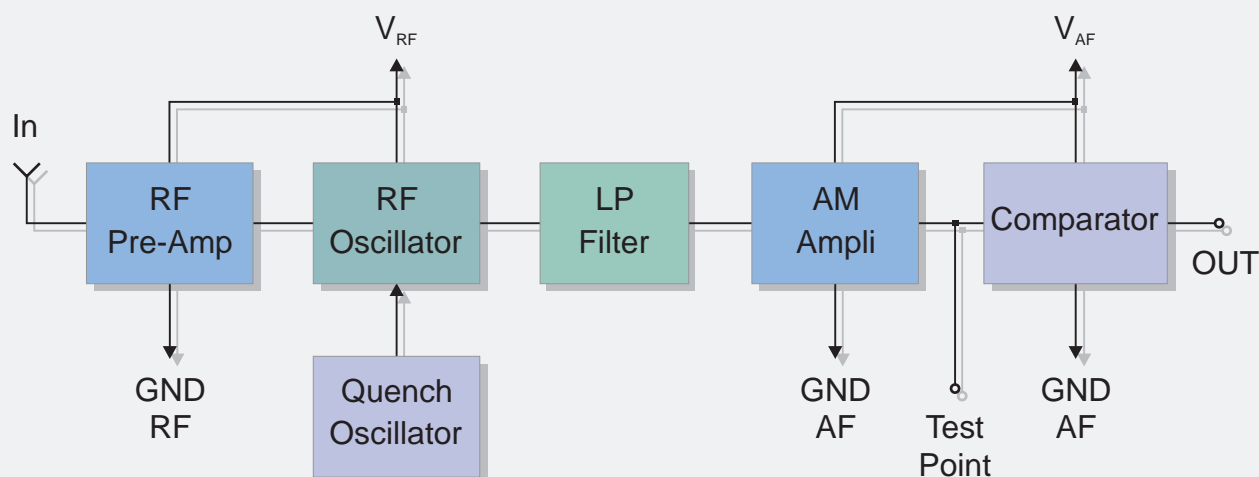
XXX: custom-specified working frequency
($200 \div 450\ \text{MHz}$)

Standard European and U.S. frequencies (315MHz , 418MHz , 433.92MHz) are readily available from stock.

Applications

- Battery powered portable devices
- Home security systems
- Car Alarm systems
- Remote gate controls
- Sensor reporting

BLOCK DIAGRAM



Electrical Characteristics

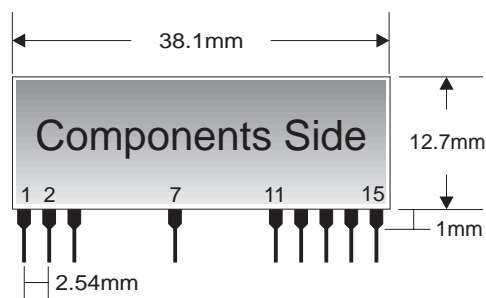
Ta = 25°C unless otherwise specified

CHARACTERISTICS		MIN	TYP	MAX	UNIT
V_{RF}, V_{AF}	Supply Voltage	2.7	3	3.3	VDC
I_S	Supply Current		0.5		mA
F_W	Working Frequency	280		450	MHz
	Tuning Tolerance		±0.2	±0.5	MHz
B_W	-3dB Bandwidth		±2	±3	MHz
	Max Data Rate			2	KHz
	RF Sensitivity (100% AM)		-90		dBm
	Level of Emitted Spectrum		-65	-60	dBm
T_{ON}	Turn-on Time		150		msec
T_{OP}	Operating Temperature Range	-25		+80	°C

Pin Description

1	RF +V _{cc}	9	NC
2	RF GND	10	NC
3	IN	11	AF GND
4	NC	12	AF +V _{cc}
5	NC	13	Test Point
6	NC	14	OUT
7	RF GND	15	AF +V _{cc}
8	NC		

Mechanical Dimensions



TYPICAL APPLICATION

