

## RT5-XXX

### Radio Transmitter Module with SAW Resonator and External Antenna



#### General description

The RT5-XXX is a hybrid circuit that allows to realize a complete radio transmitter adding a coding circuit.

It shows stable electric characteristics thanks to the "Thick film hybrid" technology.

XXX : working frequency (315, 418, 433.92 MHz)

**I-ETS 300 220 Compliance (RT4-433.92-IETS)**

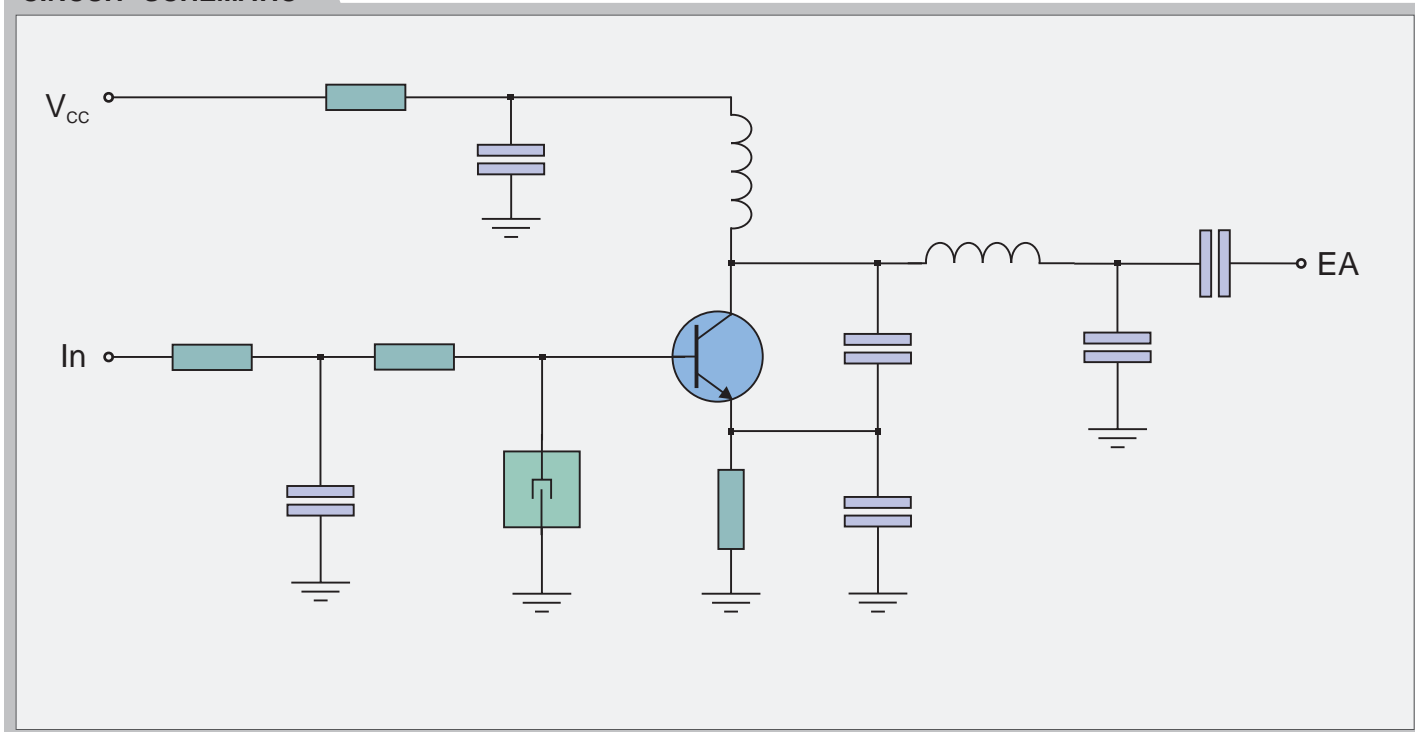
#### Features

- High Reliability
- SIL Package

#### Applications

- Wireless security systems
- Car Alarm systems
- Remote gate controls
- Sensor reporting

#### CIRCUIT SCHEMATIC



## Electrical Characteristics

Ta = 25°C unless otherwise specified

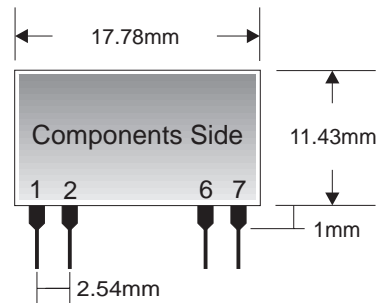
CHARACTERISTICS		MIN	TYP	MAX	UNIT
V <sub>CC</sub>	Supply Voltage	2		14	VDC
I <sub>S</sub>	Supply Current (V <sub>CC</sub> =5V IN=1KHz Square Wave)		3		mA
F <sub>W</sub>	Working Frequency	303.8		433.92	MHz
P <sub>O</sub>	RF Output Power into 50Ω (Vi=5V, Vcc=12V)		7	10	dBm
	Harmonic Spurious Emission		-35		dBc
V <sub>IH</sub>	Input High Voltage	2		V <sub>CC</sub>	V
	Max Data Rate			4	KHz
T <sub>OP</sub>	Operating Temperature Range	-25		+80	°C

Typically, equipment utilizing this device requires emissions testing and government approval, which is the responsibility of the equipment manufacturer.

## Pin Description

1	EA	External Antenna
2	IN	Modulation Input
6	GND	Ground
7	VCC	Supply Voltage

## Mechanical Dimensions



## TYPICAL APPLICATION

