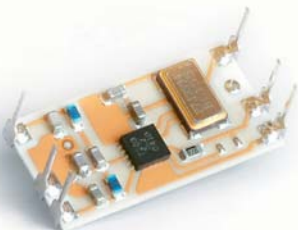


## RTFQ6-XXX

### FSK Radio Transmitter with Crystal Oscillator and External Antenna



#### General description

The RTFQ6-XXX is an hybrid circuit that allows to realize a complete radio transmitter adding a coding circuit.

It shows stable electric characteristics thanks to the "Thick film hybrid" technology.

XXX : working frequency ( 868.35 MHz)

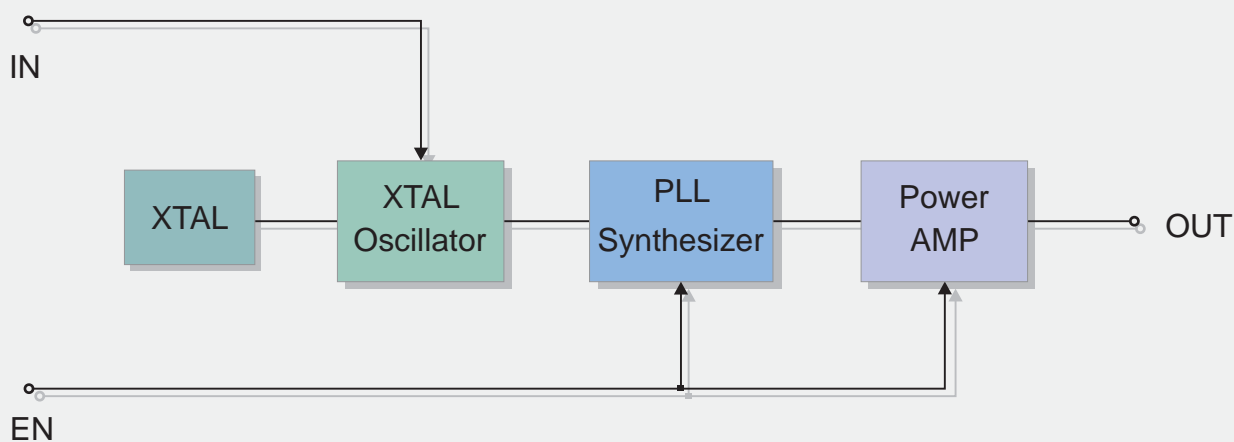
#### Features

- High Reliability
- DIL Package

#### Applications

- Wireless security systems
- Car Alarm systems
- Remote gate controls
- Sensor reporting

#### BLOCK DIAGRAM



## Electrical Characteristics

Ta = 25°C unless otherwise specified

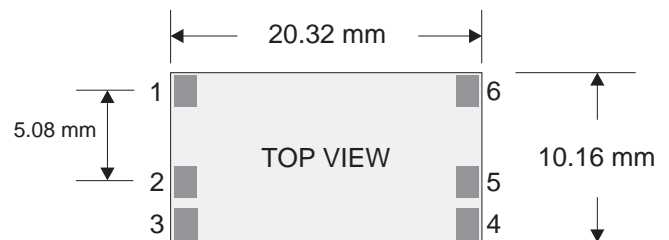
CHARACTERISTICS		MIN	TYP	MAX	UNIT
V <sub>CC</sub>	Supply Voltage	1.9		5.5	VDC
I <sub>S</sub>	Operating Supply Current (V <sub>CC</sub> = 5V)		14		mA
I <sub>STANDBY</sub>	Standby Supply Current (IN = EN = Low)		50	100	nA
F <sub>W</sub>	Working Frequency		868.35		MHz
	Frequency Accuracy		+/- 35		KHz
P <sub>O</sub>	RF Output Power into 50Ω (V <sub>CC</sub> = 5V)	+4	+7		dBm
	FM Deviation		+/- 30		KHz
	Harmonic Spurious Emission		-50		dBc
V <sub>IH</sub>	Input High Voltage	0.7*V <sub>CC</sub>			V
	Max Data Rate			9.6	Kbit/s
	Power-Up Time (EN → full RF)			1	msec
T <sub>OP</sub>	Operating Temperature Range	-25		+80	°C

EN	IN	STATE
L	L	Power Down Mode
H	H / L	Transmit Mode

### Pin Description

1	EN	Enable	4	V <sub>CC</sub>	Supply Voltage
2	IN	Data In	5	GND	Ground
3	GND	Ground	6	EA	External Antenna

### Mechanical Dimensions



### TYPICAL APPLICATION

